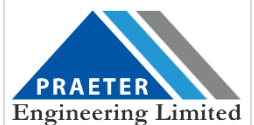


Capabilities Document



Temporary Works Design



Technical Services

Design Review

Third party checking for verification and approval to CAT 3 standard.

Structural Design

Structural design: All design will be carried out to the latest standards (e.g. Eurocode) using 3D/2D analysis packages. Design reviews can be carried out to past standards if required.

Designs include RC, PT, PT-Precast composites structures, bridges, storage tanks, temporary works.

Structural detailing: all drawings will be produced in-house by our specialist drafters

Vibration analysis: of structures.

Pre-tender: scheme advice & costing

Temporary Works Design

Praeter Engineering can carry out the temporary works design for the following;

Formwork: Formwork system support to any type of construction methodology

Back-Propping: designed to support wet/dry concrete of the RC or PT slabs

Temporary Screens: Loads from the temporary screens to be designed to be carried by props or within the permanent slabs

Tower Crane Bases: Design of bases for vertical loads and moment incorporating reinforced concrete and/or tensile bars (tensioned or torqued)

Tower Crane Ties: Lateral loads transferred directly to the slab or between the floors or to the columns/walls. Connections may require stressing or torqueing of tensile bars

Hoist Access Platforms: for materials or passengers

Hoist Bases: RC concrete bases or steel frame

Access Scaffolds and Stairs: Safe site access to floors with protection

Load-Out Platforms: for plant & materials

Temporary Loading To Slab: such as bathroom PODs, MEWPS

Concrete Placing Booms: Lateral supports for booms and back-propping of the slabs for vertical loads

Columns and Wall Propping: Shuttering for any shape of column or wall (square, rectangular, blade or circular)

Propping Pre-cast Walls and Columns: Design of props for long and full height pre-cast twin walls and double height columns

Concrete Pipeline Brackets: To stabilize concrete lines

Lifting of Reinforcement Cages: Cages for any type of element such as; column, walls, slabs & beams

Edge Protection: Net, framed or steel mesh barrier

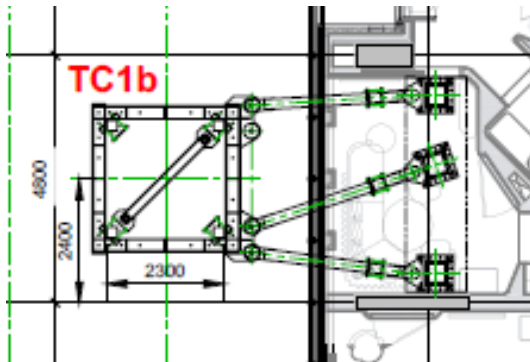
Temporary Works Services



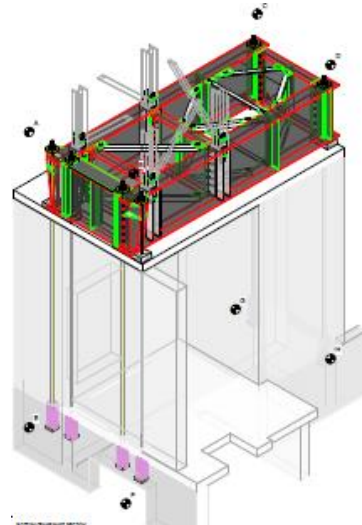
Formwork



Back-Propping



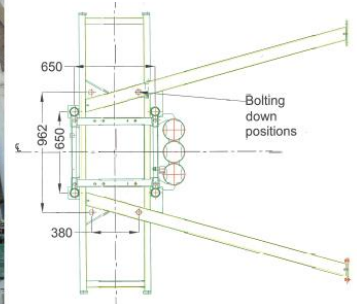
Tower Crane Ties



Tower Crane Bases

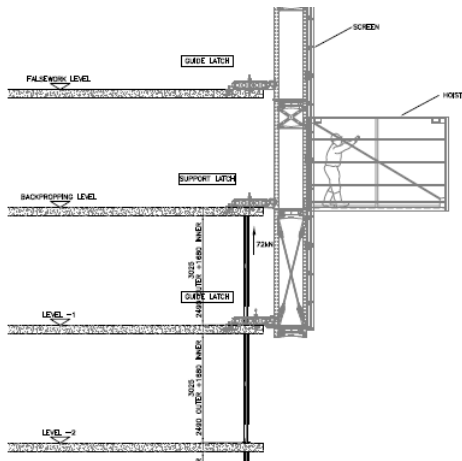


Hoist Access Platforms

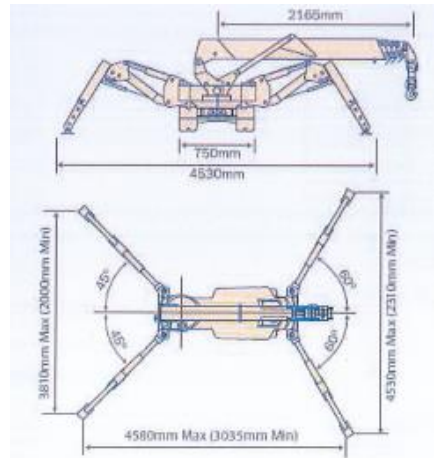


Hoist Bases

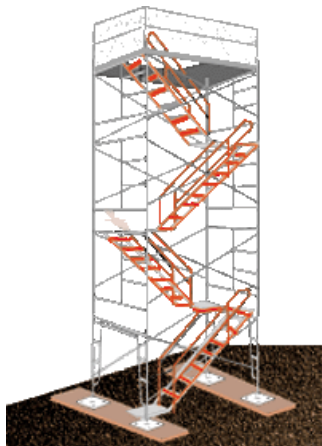
Temporary Works Services



Temporary Screens



Temporary Accesses like MEWPS



Access Scaffolds and Stair



Load Out Platforms

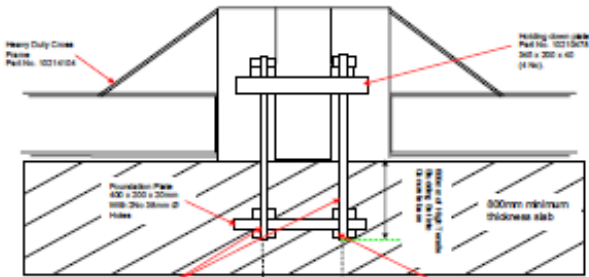


Propping Columns and Walls



Propping Precast Walls and Columns

Temporary Works Services



Concrete Pipeline Brackets



Edge Protection



Lifting of Reinforcement Cages



Concrete Placing Booms

Contact Information

Nadarajah **Surendran** (Technical Director)
E: Suren@praeterengineering.co.uk
T: +44 (0)7824 626 167

Tristan Littlejohns (Operations Director)
E: Tristan@praeterengineering.co.uk
T: +44 (0)7796 310 852

Tom McAteer (Operations Manager)
E: Tom@praeterengineering.co.uk
T: +44 (0)7775 258 894

Praeter Engineering Limited.

P.O.Box 2540, Ilford, IG1 8PF
United Kingdom

www.praeterengineering.co.uk
E: Enquiries@praeterengineering.co.uk